

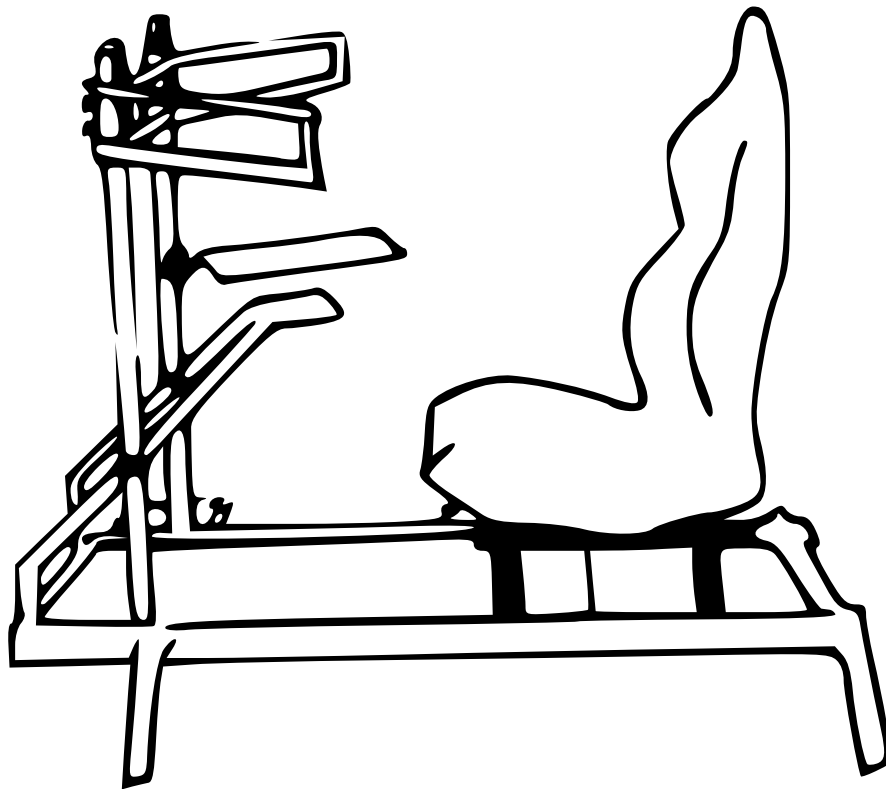


SIMULATOR SEAT and FRAME ASSEMBLY INSTRUCTIONS

Simulator “Cabin”

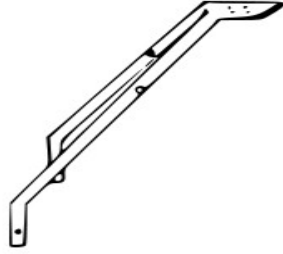
for use with

SIMURIDE DRIVING SIMULATION for Beginner and Commercial Drivers

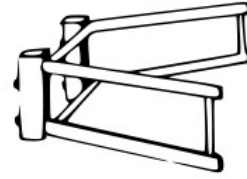


www.aplussoftware.com

1x STEERING MOUNT



1 x MONITOR MOUNT



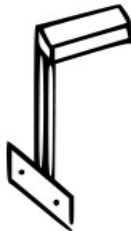
1 x SEAT



1 x MONITOR TOWER / FRONT LEGS



1 x GEAR SHIFT MOUNT



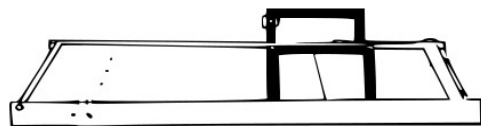
1 x BACK LEGS



12 x MONITOR BRACKETS & SCREWS

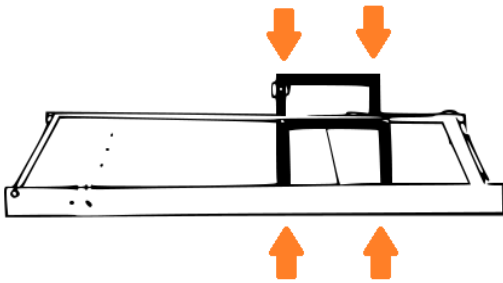


1 x BASE and 2x SEAT MOUNTS (Black)

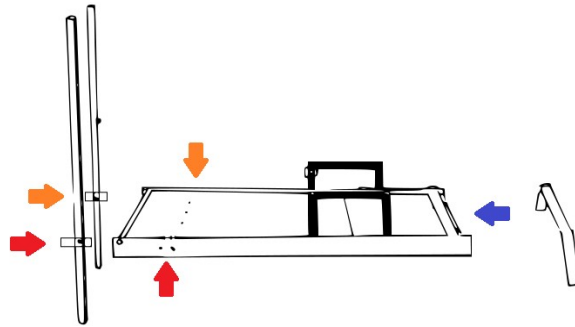


ASSEMBLY INSTRUCTIONS

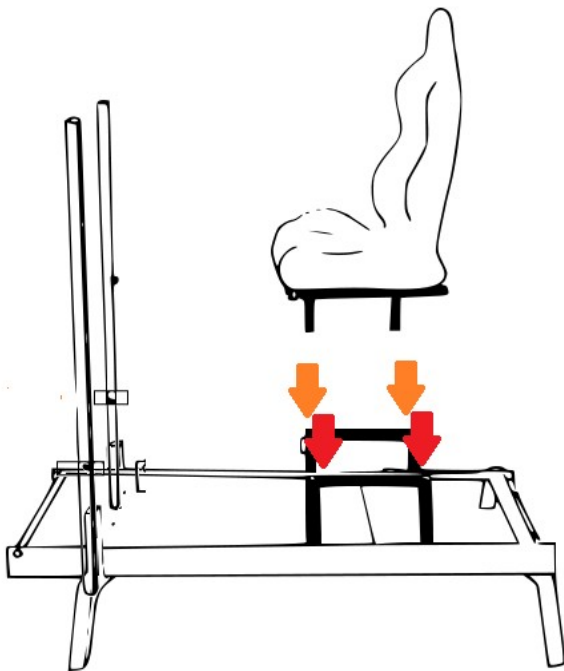
Special Note: Pieces of the frame may have been updated slightly since the figures represented in the images shown. For instance, the mount pieces for the seat are now included separately and need to be attached to the base before mounting the seat. The back legs attach from the back of the base, not underneath it. Your steering set likely comes with built-in clamps (depending on your model). If you would like to fix your steering set to your frame, you will need approximately 10-12 additional screws, not included in this set. This set will include screws and bolts for monitor brackets and frame pieces respectively.



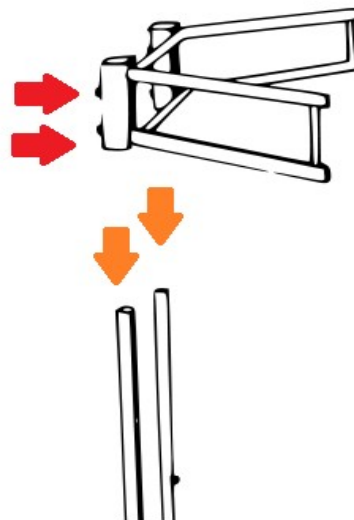
STEP 1: ATTACH SEAT MOUNTS TO BASE



STEP 2: ATTACH BACK AND FRONT LEGS
STEP 2 A (Optional): Turn base over and attach gaming pedals to the base before assembling the rest of the seat and frame.

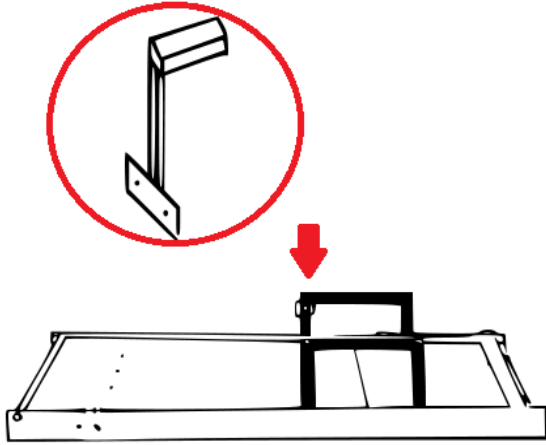


STEP 3: ATTACH SEAT TO SEAT MOUNTS

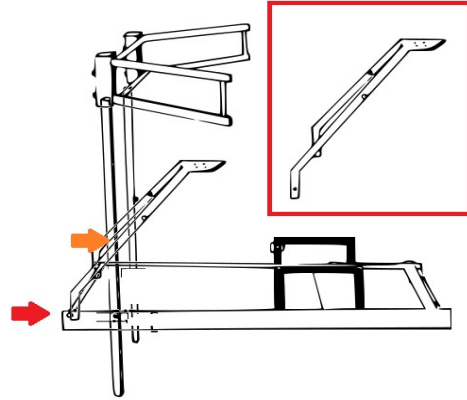


STEP 4: ATTACH MONITOR MOUNT TO
MONITOR TOWERS / FRONT LEGS

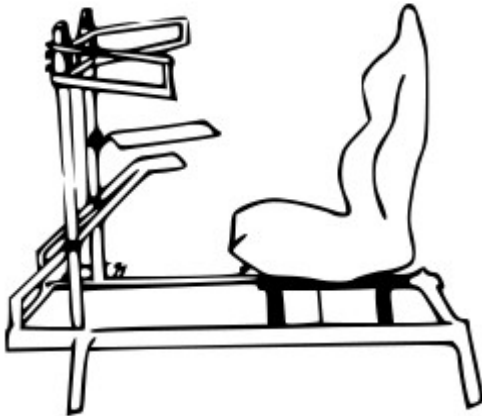
STEP 5: ATTACH GEAR SHIFT MOUNT TO SEAT MOUNT



STEP 6: ATTACH STEERING WHEEL MOUNT TO MONITOR TOWERS AND BASE



STEP 7 (if applicable): ATTACH KEYBOARD TRAY TO MONITOR TOWER. ATTACH PC MOUNT TO FRONT RIGHT CORNER OF BASE.



STEP 8: Hook 4 monitor brackets on each section of the monitor mounts. ATTACH 4 MONITOR BRACKETS to EACH MONITOR See image below for brackets on monitor without the monitor mount to see how it should hang from the unit.



For assistance, please contact info@aplussoftware.com.